



INNOVATIVE[®]

PRODUCTS

ENERGY FACILITY
EQUIPMENT

OPERATIONAL
TOOLS

GAS SYSTEM
EQUIPMENT

GAS SYSTEM
TOOLS

— AND —

CUSTOM REQUESTS WELCOMED

PH. 541.549.8766 | FX. 541.549.1901
15820 BARCLAY DRIVE | SISTERS, OR 97759

WWW.ENERGYNEERING SOLUTIONS.COM

CONTENTS

ENERGY FACILITY EQUIPMENT	3
Air Filter Housing	3
Crankcase Vacuum Cap	3
Crankcase Oil Tank	4
Crankcase Breather Spool	4
Valve Cover Breather	4
Rebuilt Cylinder Head	5
Remanufactured Rocker Box	5
Coalescing Filter	6
Coolant Gauge Panel	6
After Cooler CAT Spool	6
Oil Drain Pan	7
Make-Up Oil Tank	7
EZ Start	8
Air Compressor Condensate Drain Tank	8
Coolant Valve Panel	8
OPERATIONAL TOOLS	9
Head Lift Tool	9
Head Tool Kit	9
Spark Plug Socket	10
Spark Plug Adapter Tool	10
Valve Adjustment Torque Wrench	10
Cylinder Compression Tester	10
Exhaust Spring Puller	11
Automatic Timing Pin	11
Thermostat Seal Installer	11
GAS COLLECTION SYSTEM EQUIPMENT	12
Sump Lid and Pump Assembly	12
Sump Liquid Depth and Control Cabinet	12
GAS COLLECTION SYSTEM TOOLS	13
Quick-Lift Pump Puller™	13
Termite Well Perforator™	13

ENERGY FACILITY EQUIPMENT

AIR FILTER HOUSING

The Air Filter Housing makes it easy to mount and access a set of air intake filters for either a standard or 1.966 MW version CAT 3520. An RTD temperature sensor may be included to allow control of the facility ventilation fans based on actual intake air temperature.

PART: CAF-3520-V

CAT 3520 Vertical Filter Mount Housing Set

PART: CAF-3520-V-T

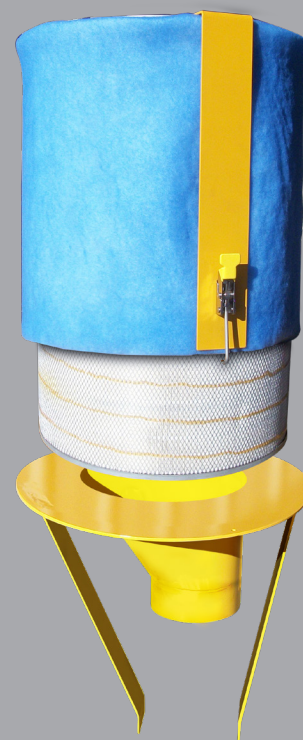
CAT 3520 Vertical Filter Mount Housing Set w/ RTD sensor

PART: CAF-1966-H

1.966 MW CAT 3520 Horiz. Dual Filter Mount Housing

PART: CAF-1966-H-T

1.966 MW CAT 3520 Horiz. Dual Filter Mount Housing w/ RTD sensor



CAF-3520-V

CRANKCASE VACUUM CAP

Replacing the standard CAT oil fill cap on the 3520 and 3516 engines, the Crankcase Vacuum Cap provides a convenient crankcase vacuum measurement port. It features a precision-machined aluminum body and Buna-N O-ring seal. A pressure transmitter may be included for automated control and monitoring of the crankcase vacuum.

PART: CVC-3500

CAT 3500 Series CCV Cap

PART: CVC-3500-T

CAT 3500 Series CCV Cap w/ Transmitter



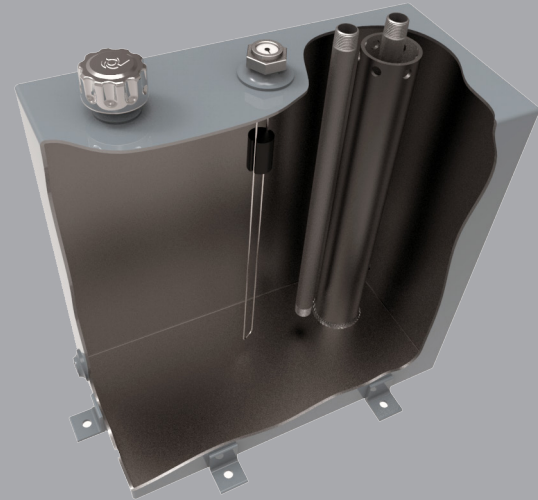
CVC-3500

CRANKCASE OIL TANK

The Crankcase Oil Tank integrates with crankcase vacuum systems by use of a wet seal that prohibits counter-current air flow and, thereby, allowing condensate to drain. It features an easy-to-read level gauge and breather cap to eliminate the risk of tank over-pressurization.

PART: COT-80-F

80 Gal. Floor-Mounted CCV Oil Tank



COT-80-F

CRANKCASE BREATHER SPOOL

The Crankcase Breather Spool, with stainless steel construction, connects from a CAT 3500 series breather tee to the rest of the crankcase ventilation (CCV) system.

PART: CBS-225-90

CAT 3500 Series CCV Breather Spool



CBS-225-90

VALVE COVER BREATHER

The Valve Cover Breather features a non-vented CAT 3500 series valve cover outfitted with a breather spool – essentially converting the non-vented valve cover to the vented version.

PART: VCB-3500

CAT 3500 Series Remanufactured Valve Cover w/ Breather



VCB-3500

REBUILT CYLINDER HEAD

ESI technicians rebuild CAT 3500 series cylinder heads utilizing Inconel exhaust valves, HD intake valves, Inconel seats, and HD valve guides. They are sandblasted, machined, outfitted, and repainted to premium operating condition.

PART: CCH-3516

CAT 3516 Rebuilt Cylinder Head

PART: CCH-3520

CAT 3520 Rebuilt Cylinder Head



CCH-3516



CCH-3520

REMANUFACTURED ROCKER BOX

The Remanufactured Rocker Box boasts increased operational longevity. Units are cleaned, repaired, inspected for surface trueness, and outfitted with new super-duty hardened inserts.

PART: CRB-3516

CAT 3516 Remanufactured Rocker Box

PART: CRB-3520

CAT 3520 Remanufactured Rocker Box



Original Rocker Boxes



Original Failed Rocker Box Insert



CRB-3520

COALESCING FILTER

The Coalescing Filter features stainless steel construction, a low-point condensate drain port, and a differential pressure gauge to monitor filter element performance. A 0.3 micron filter is available upon request.

PART: COL-3516

CAT 3516 Coalescing Filter

PART: COL-3520

CAT 3520 Coalescing Filter



COL-3520

COOLANT GAUGE PANEL

The Cooling Gauge Panel mounts to the facility wall to display the engine's after cooler and jacket water coolant temperature and pressure in one convenient location. The pressure gauges are constructed of stainless steel and liquid filled with a ¼" MNPT rear connection. The thermometers feature stainless steel construction and a ¾" MNPT thermo-well with 15 ft. of capillary tube.

PART: CGP-3500

CAT 3500 Series Coolant Gauge Panel



CGP-3500

AFTER COOLER CAT SPOOL

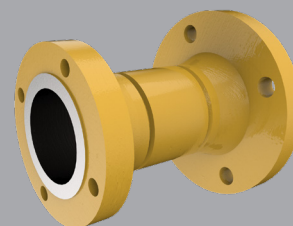
The After Cooler CAT Spool transitions from the CAT 3520 after cooler CAT flange to a 3" ANSI 150# flange for the CAT 3520 after cooler coolant lines. The spool runs 6" from flange-to-flange.

PART: ACS-3520-3

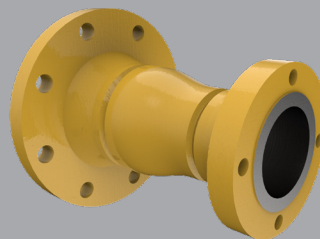
3" ANSI X CAT 3520 After Cooler Spool

PART: ACS-1966-4

4" ANSI X 1.966 MW CAT 3520 After Cooler Spool



ACS-3520-3



ACS-1966-4

OIL DRAIN PAN

The Oil Drain Pan fits under CAT 3520 oil filters by custom-integrating with various engine isolator mounts. It features a 1" FNPT drain port and perforated grating to keep tools and parts out of the waste oil.

PART: ODP-3520-STSI

CAT 3520 Oil Drain Pan for Use w/ Standard Spring Isolators

PART: ODP-3520-SESI

CAT 3520 Oil Drain Pan for Use w/ Seismic Spring Isolators

PART: ODP-3520-RI-1

CAT 3520 Oil Drain Pan for Use w/ 1" Rubber Pad Isolators

PART: ODP-1966-RI-1

1.966 MW CAT 3520 Oil Drain Pan for Use w/ 1" Rubber Pad Isolators



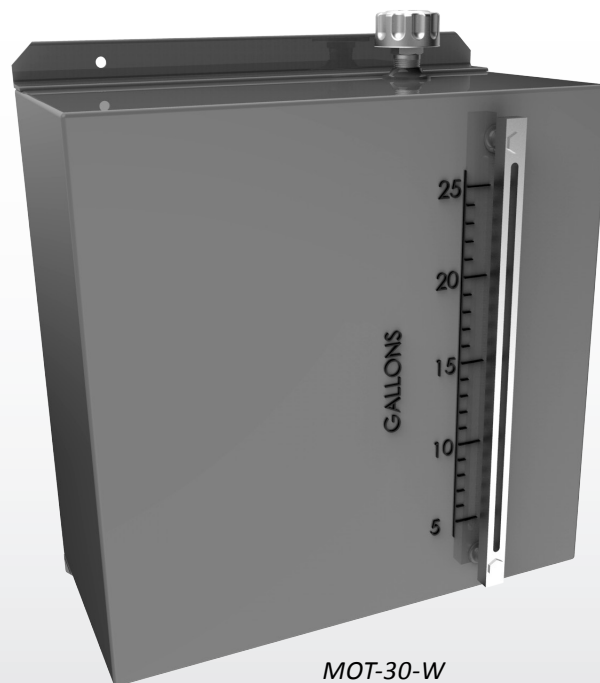
ODP-3520-STSI

MAKE-UP OIL TANK

The Make-Up Oil Tank acts as an intermediate oil reservoir designed to supply fresh oil to a crankcase oil level maintainer. The tank includes a breather cap, 1" FNPT connection ports, a heavy-duty sight glass and a scale for accurate tracking of oil usage.

PART: MOT-30-W

30 Gal. Wall-Mounted Make-Up Oil Tank



MOT-30-W

EZ START

The EZ Start makes cold-starting the CAT 3520 easy by overriding the oil temperature transmitter for 5 minutes. This allows the oil to warm up enough so that the engine does not unnecessarily shutdown. It is installed in-line between the oil temperature transmitter and the wiring harness.

PART: EZ-3520

CAT 3520 EZ Start



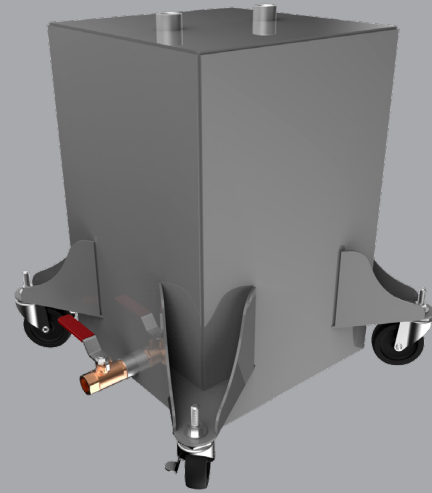
EZ-3520

AIR COMPRESSOR CONDENSATE DRAIN TANK

The mobility of the Air Compressor Condensate Drain Tank makes collecting and disposing of air compressor condensate simple. It features a breather cap, floor rollers, and 1" FNPT connection ports.

PART: ACT-10-F-R

10 Gal. Floor-Roller Compressed Air Condensate Drain Tank



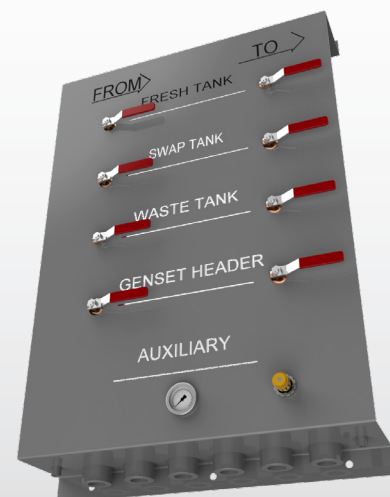
ACT-10-F-R

COOLANT VALVE PANEL

The Coolant Valve Panel locates the valves necessary to control the transportation of facility coolant in one convenient place. It allows the operator to transport fresh, waste, swap, engine, and miscellaneous coolant where desired with the turn of a valve.

PART: CVP-8-W

8-Valve Wall-Mounted Coolant Valve Panel



CVP-8-W

OPERATIONAL TOOLS

HEAD LIFT TOOL

The Head Lift Tool provides a safe and secure way to lift CAT 3500 series cylinder heads. The lifting eye accommodates a full-size crane hook. It couples with the bridge in three locations to offer multiple positions for lifting the head level, parallel to the block, or at a steep angle.

PART: HLT-3516

CAT 3516 Head Lift Tool

PART: HLT-3520

CAT 3520 Head Lift Tool



HLT-3516/3520

HEAD TOOL KIT

The cylinder Head Tool Kit includes the valve adjustment tool, the exhaust valve recession tool, a zeroing block, and a tool case. The Valve Adjustment Tool uses precision analog indicators on a rigid steel frame to measure intake and exhaust rocker arm adjustments. The Exhaust Valve Recession Tool reads valve lash between services with digital indicators mounted to an additional rigid steel frame.

PART: HTK-3516

CAT 3516 Head Tool Kit Includes:

PART: HTK-3516.0

CAT 3516 Valve Adjustment Tool

PART: HTK-3516.1

CAT 3516 Exhaust Valve Recession Tool

PART: HTK-3520

CAT 3520 Head Tool Kit Includes:

PART: HTK-3520.0

CAT 3520 Valve Adjustment Tool

PART: HTK-3520.1

CAT 3520 Exhaust Valve Recession Tool



HTK-3520



HTK-3520.0



HTK-3520.1

SPARK PLUG SOCKET

The Spark Plug Socket combines the CAT 4C4601 socket with a 3/8" impact welded extension for easy spark plug installation and removal.

PART: SPS-4C4601

CAT 4C4601 Modified Spark Plug Socket



SPS-4C4601

SPARK PLUG ADAPTER TOOL

The Spark Plug Adapter Tool helps prevent damage to CAT 3520 spark plug adapters during removal. It features a double-step stabilizer and a retaining bolt that threads into the spark plug port.

PART: SPT-3520

CAT 3520 Spark Plug Adapter Socket



SPT-3520

VALVE ADJUSTMENT TORQUE WRENCH

The Valve Adjustment Torque Wrench comes equipped with a custom factory set 42 ft-lbs torque wrench and 3/4" socket for easy valve adjustment.

PART: VAW-3500

CAT 3500 Series Valve Adjustment Torque Wrench



VAW-3500

CYLINDER COMPRESSION TESTER

The Cylinder Compression Tester offers more convenient access to test cylinder compression. It adds a 16" extension rod to a 0-300 psig cylinder compression tester.

PART: CCT-3500

CAT 3500 Series Extended Cylinder Compression Tester



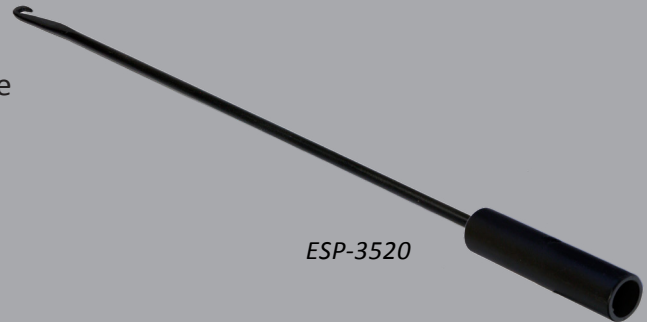
CCT-3500

EXHAUST SPRING PULLER

Easily remove springs from the exhaust log with the Exhaust Spring Puller.

PART: ESP-3520

CAT 3520 Exhaust Insulation Spring Puller



ESP-3520

AUTOMATIC TIMING PIN

Easily find top dead center on compression and exhaust strokes when turning the engine by hand with the Automatic Timing Pin. It inserts into the flywheel end of the engine and automatically engages into the timing pin hole.

PART: ATP-3500

CAT 3500 Series Automatic Timing Pin



ATP-3500

THERMOSTAT SEAL INSTALLER

The Thermostat Seal Installer makes installing the CAT 3S-9643 regulator seal quick and easy.

PART: RSI-3520-3S9643

CAT 3520 3S-9643 Thermostat Seal Installer



RSI-3520-3S9643
(Seal not included)

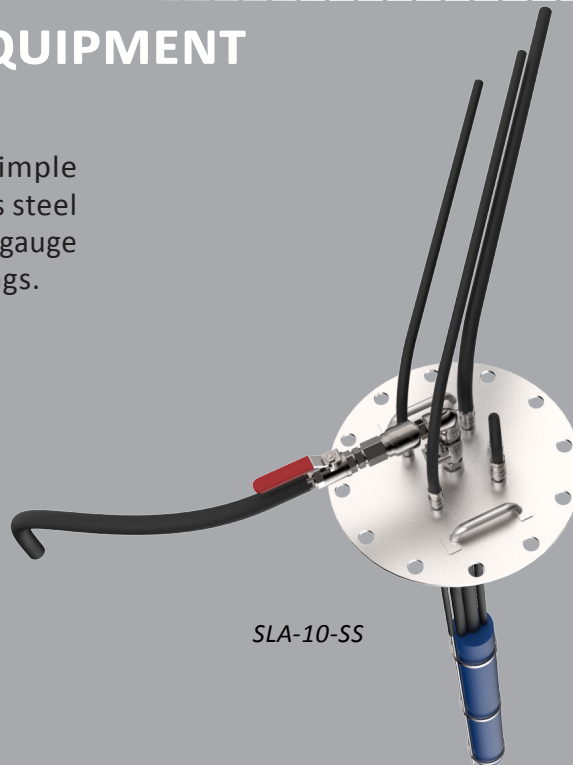
GAS COLLECTION SYSTEM EQUIPMENT

SUMP LID AND PUMP ASSEMBLY

The Sump Lid and Pump Assembly provides a simple method for extracting liquids. It includes a stainless steel flange, pneumatic pump, mounting hardware, depth gauge hose, air and liquid hoses, and stainless steel fittings.

PART: SLA-10-SS

10" Stainless Steel Condensate Sump Lid and Pneumatic Pump Assembly



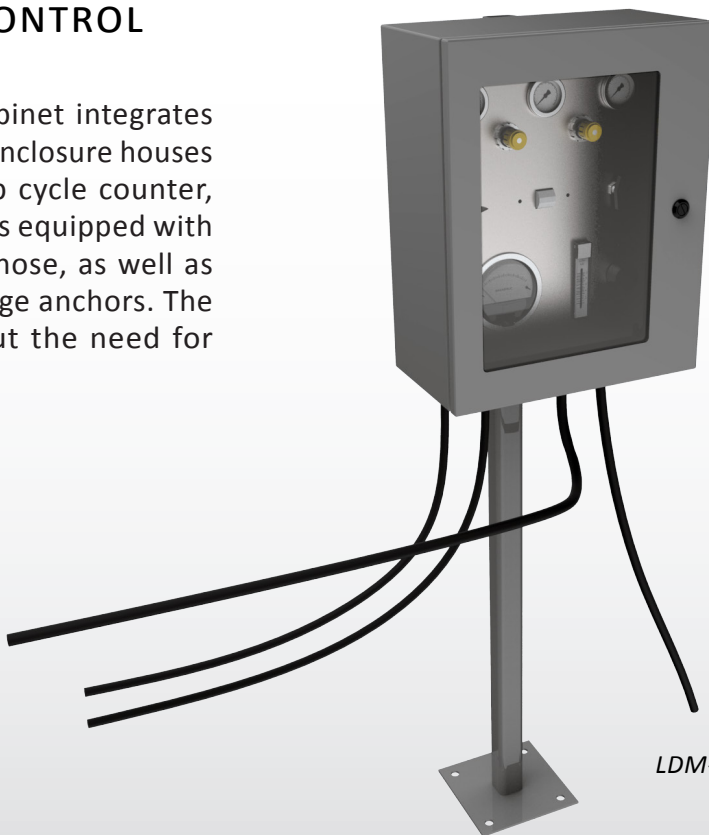
SLA-10-SS

SUMP LIQUID DEPTH AND CONTROL CABINET

The Sump Liquid Depth and Control Cabinet integrates with pneumatic condensate pumps. The enclosure houses compressed air shut-off valves, a pump cycle counter, and a bubbler-style depth gauge. It comes equipped with air supply, depth, and depth reference hose, as well as a concrete pad-mount support with wedge anchors. The system operates pneumatically without the need for electricity.

PART: LDM-PLS-1

Bubbler Cabinet w/ Single Pulse Counter



LDM-PLS-1

GAS COLLECTION SYSTEM TOOLS

QUICK-LIFT PUMP PULLER™

The Quick-Lift Pump Puller™ (**Patent Pending**) improves operator safety by streamlining the once strenuous and potentially hazardous procedure of pulling downwell pumps. It features a quick well attachment system, electric winch, and the ability to pull a pump from a well of over a hundred feet deep. The Quick-Lift Pump Puller Air™ further boosts protection by replacing the electric winch with a pneumatic one.

PART: QP-500

Quick-Lift Pump Puller™

PART: QP-500-AIR*

Quick-Lift Pump Puller Air™



Contact
**Pump One
Environmental LLC**
for pricing
www.pumponellc.com



TERMITE WELL PERFORATOR™

The Termite Well Perforator™ (**Patent Pending**) adds perforations to existing HDPE and PVC vertical landfill gas extraction well casings. The system safely restores wells hindered by insufficient perforation coverage, failed perforations, and non-perforated risers. An all-inclusive Well Termite Service, provided by ENERGYneering Solutions Inc., is also available to come to your site.

PART: TR-4100

Termite Well Perforator™

SERVICE: Well Termite Service



www.ENERGYneeringSolutions.com



TR-4100



100% COMPLETE
COMMITMENT

Every Time

PH. 541.549.8766 | FX. 541.549.1901
15820 BARCLAY DRIVE | SISTERS, OR 97759

WWW.ENERGYNEERINGSOLUTIONS.COM